

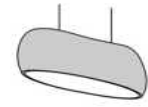
TECHNICAL SPECIFICATION

COLOURS

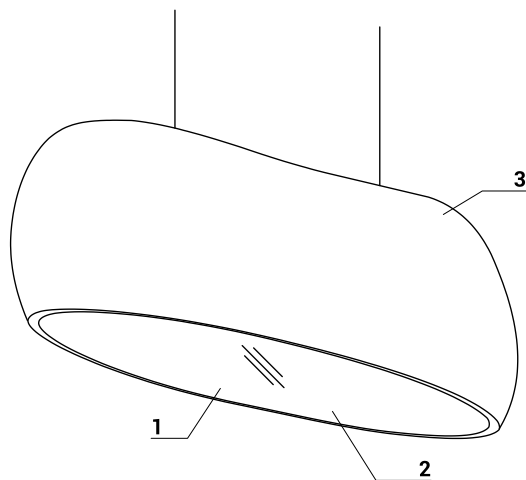
CANOE



HIGH GLOSS
WHITE



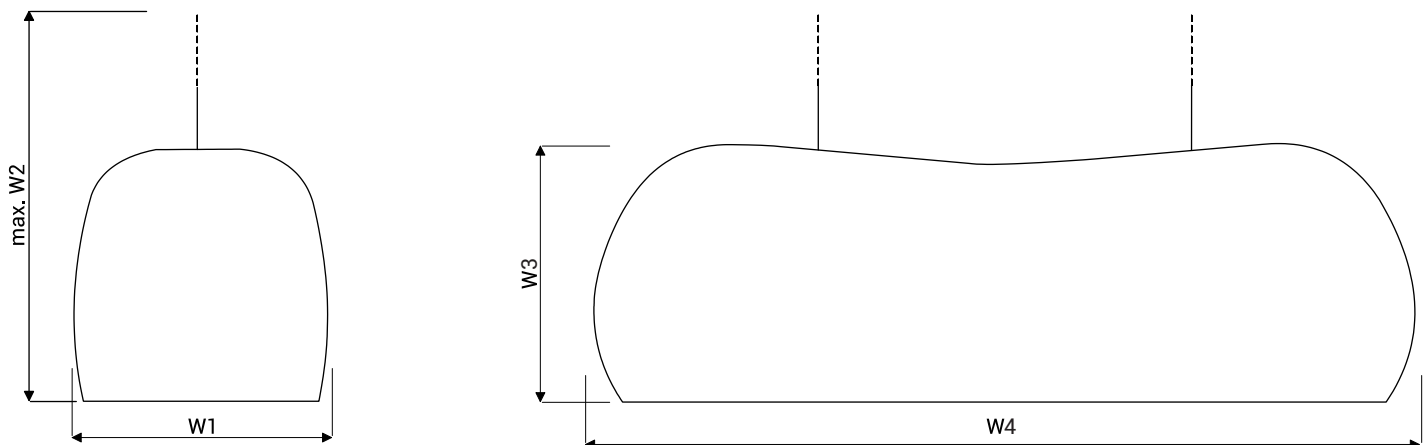
TECHNICAL SPECIFICATION



1. **Internal material** - plexiglass, white colour
2. **Light** - Power 230V,
Light source 2x E27 - no bulb attached
3. **External material** -polyester, colour : white





ATTENTION - Installation by licenced electrician recommended.

DIMENSIONS




W1 - 360mm | W2 - 1850mm | W3 - 360mm | W4 - 1105mm


CANOE LAMP

PRODUCT ILLUSTRATION	DIMENSIONS [mm]			INDEX SYMBOL						COMMENTS
	WIDTH	DEPTH	HEIGHT			kg	m3	pcs		
LAMP										
	1105	360	360	CAN11		12.0	0.169	1		

DESCRIPTION

 - NET WEIGHT

 VOLUME

 NUMBER OF PACKAGES