

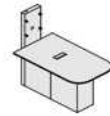
TECHNICAL SPECIFICATION

COLOURS

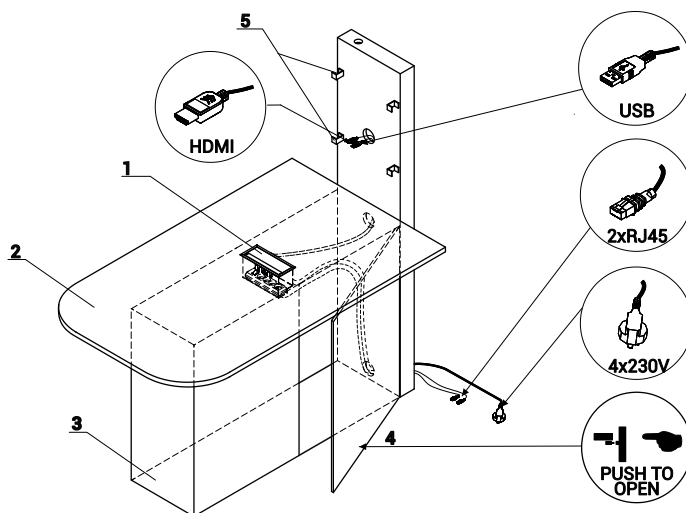
MS01



67 WHITE PASTEL



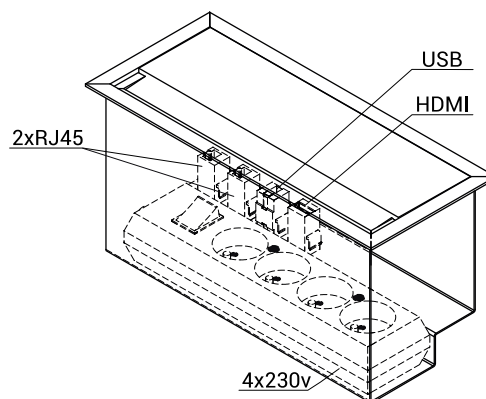
TECHNICAL SPECIFICATION



1. **Mediabox M04H** - 2xRJ45 (class E, cat. 6) + 1xUSB + 1xHDMI + 4x230V, colour: M009 - aluminum semi-matte
2. **Worktop** - MFC 28mm, PVC edge
3. **Base and front** - MFC 28mm, PVC edges
4. **Front** - 'Push - to -Open', MFC 18mm, PVC edge
5. **Handles** - vesa fixing, spacing 400x400mm, tv max weight 20kg

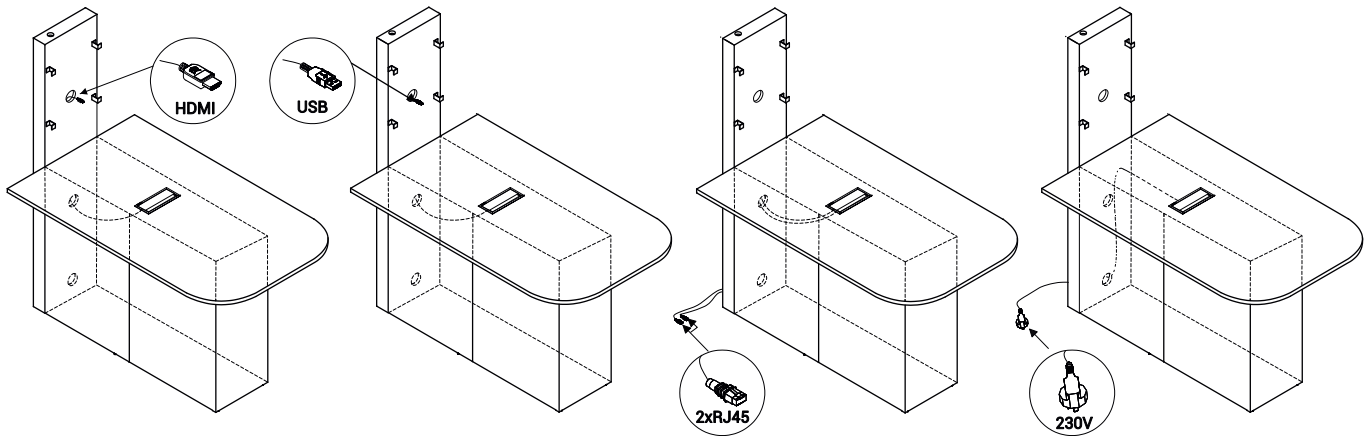
NOTE - SCHUCKO plugs only

MEDIABOX M04H

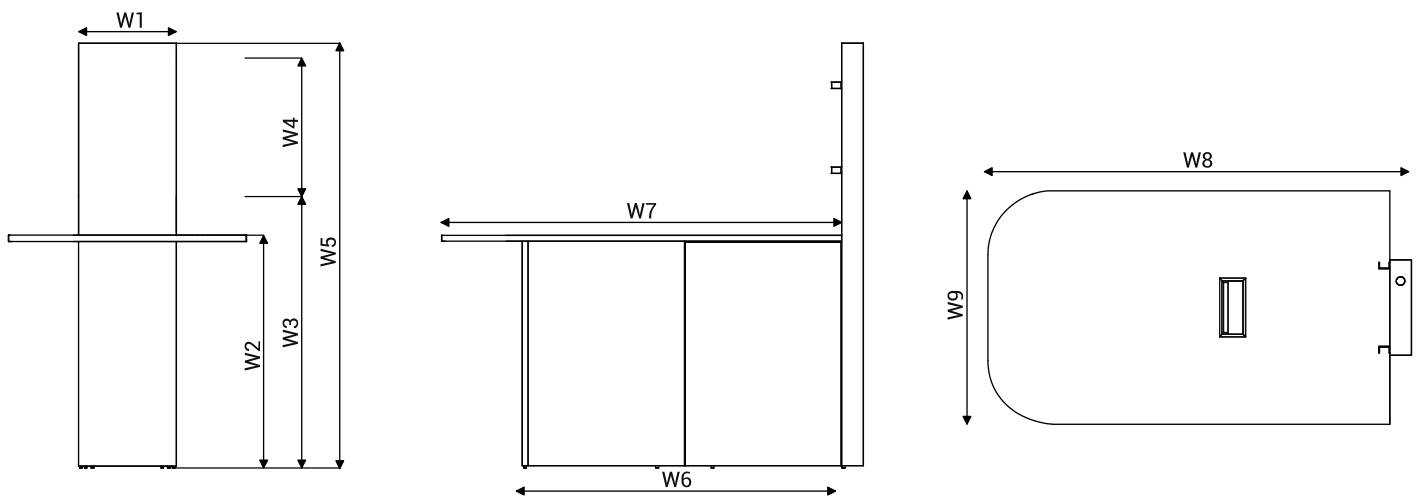


TECHNICAL SPECIFICATION

CABLE MANAGEMENT



DIMENSIONS



W1 - 450 | W2 - 1100 | W3 - 1282 | W4 - 655 | W5 - 2000 | W6 - 1478 | W7 - 1850 | W8 - 1950 | W9 - 1100

PRODUCT ILLUSTRATION	DIMENSIONS [mm]			INDEX SYMBOL	kg	m3	pcs	COMMENTS
	WIDTH	DEPTH	HEIGHT					

MULTIMEDIA STAND

	1100	1950	2000	MS01	114.0	0.292	3	
--	------	------	------	-------------	-------	-------	---	--

DESCRIPTION

- NET WEIGHT

VOLUME

NUMBER OF PACKAGES